

# BODY

## SERVICE PARTS LIST



INDEX	
Explanatory	
Part Number Index	
Body Shell	<b>BA</b>
Bonnet and Bumpers	<b>BB</b>
Windscreen and Fittings	<b>BC</b>
Seats and Hood Fittings	<b>BD</b>
Paints	<b>BF</b>
Mechanical Details	<b>BR</b>

## AUSTIN AND MORRIS

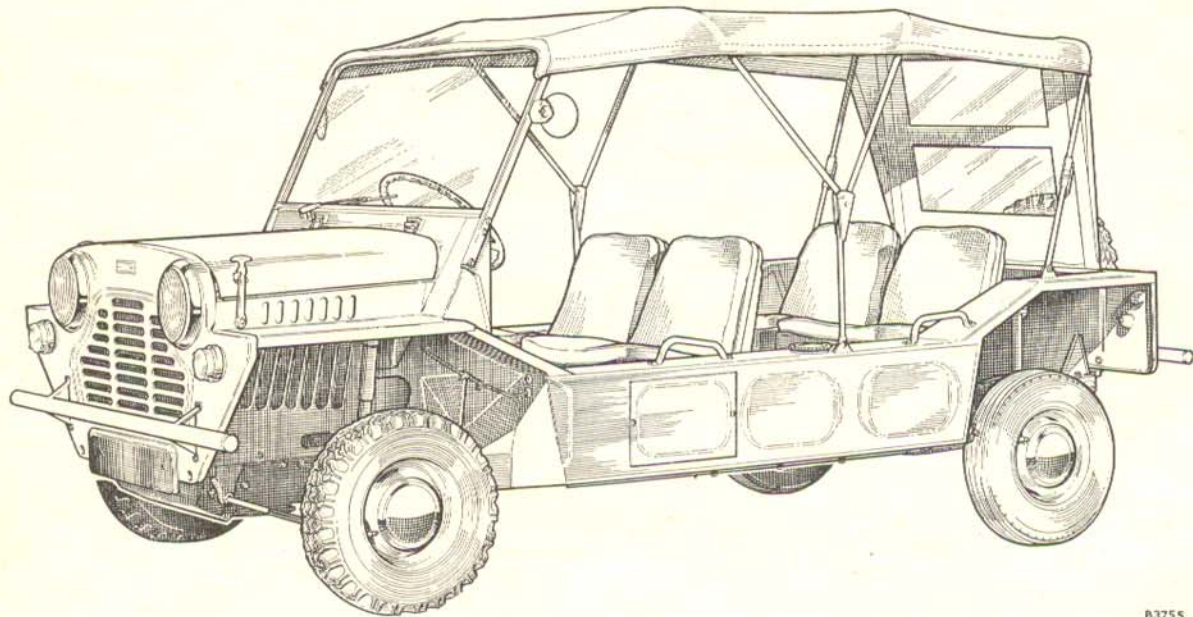
# MINI-MOKE

*Issued by*

**British Leyland Motor Corporation Limited**  
**BMC Service division**

**COWLEY · OXFORD · ENGLAND**

Telephone - - - - - Oxford 78941  
 Telegrams - - - - - BMCSEV, Telex, Oxford  
 Telex - - - - - BMCSEV, Oxford 83149, 8, 7  
 Cables - - - - - BMCSEV, Telex, Oxford, England  
 Codes - - - - - Bentley's, Bentley's Second Phrase, A.B.C.  
 (5th and 6th Editions), Western Union and Private



03755

The Austin and Morris Mini-Moke

# ● EXPLANATORY

- Amendments to this List will be effected by means of reprinted pages. Should it be necessary to add an additional page or pages to interrupt the existing sequence of page numbers, the added pages will be numbered as in the following examples, which illustrate what would happen if it became necessary (A) to extend the information on a text page beyond the limits of that page or (B) to add an illustration page between existing illustration pages. Use of the decimal notation avoids the necessity of renumbering and reprinting all pages after the newly introduced page.

Example (A)

Existing text pages ... .. BA 5, BA 6, BA 7, etc.  
 Added text pages ... .. BA 5.1, BA 5.2, BA 5.3.  
 Page sequence will then read ... .. BA 5, BA 5.1, BA 5.2, BA 5.3, BA 6, etc.

Example (B)

Existing plates ... .. A 5, A 6, A 7, etc.  
 Added plates ... .. A 5.1, A 5.2, A 5.3.  
 Parts List will then read ... .. A 5, A 5.1, A 5.2, A 5.3, A 6, etc.

- Where a modification to a part has taken place, or a new part issued replacing an original part, this is indicated by the inclusion of a dagger against the new or amended part.
- It will be noted that the items comprising an assembly (or sub-assembly) are offset for easy reference. This principle is followed in all Parts Lists, typical examples being given below.

Examples

Crankshaft .....	AMK 2254
Plug .....	AMK 97
Panel assembly—rear lower .....	CZA 418
Angle—attachment—rear bumper .....	CZA 147
Bracket—rear bumper support .....	CZA 164

- ABBREVIATIONS

Standard abbreviations are employed. The complete range of abbreviations covering all Lists is given below.

<b>A</b> Ambulance	<b>ID</b> Inside diameter	<b>(RA)</b> Rear axle number
<b>A/R</b> As required	<b>J</b> Convertible	<b>RH</b> Right-hand
<b>(B)</b> Body number	<b>K</b> Truck	<b>RHD</b> Right-hand drive
<b>C</b> Chassis number	<b>L</b> Hire Car	<b>RHT</b> Right-hand thread
<b>(C)</b> Car number	<b>LC</b> Low compression	<b>S</b> 4-door Saloon
<b>(CB)</b> Cab number	<b>LH</b> Left-hand	<b>(S)</b> Super de-luxe
<b>(CN)</b> Commission number	<b>LHD</b> Left-hand drive	<b>2S</b> 2-door Saloon
<b>CP</b> Chrome-plated	<b>LHT</b> Left-hand thread	<b>T</b> 4-seater Tourer
<b>D</b> Coupé	<b>M</b> Limousine	<b>U</b> Pick-up
<b>(D)</b> De-luxe	<b>N</b> 2-seater Tourer	<b>UK</b> Gt. Britain and North- ern Ireland
<b>DC</b> Double-coil	<b>No.</b> Number	<b>U/S</b> Undersize
<b>E</b> G.P.O. Engineers	<b>NSP</b> Non-serviceable part	<b>V</b> Van
<b>(E)</b> Engine number	<b>OD</b> Outside diameter	<b>W</b> Dual-purpose (wood framing)
<b>EXP</b> Export	<b>(OD)</b> Overdrive number	<b>Ws</b> Dual-purpose (all- metal)
<b>(FA)</b> Front axle number	<b>O/S</b> Oversize	<b>X</b> Taxi
<b>G</b> G.P.O. Mail	<b>P</b> Hard Top	
<b>(G)</b> Gearbox number	<b>PSV</b> Public Service Vehicle	
<b>H</b> Hearse	<b>Q</b> Chassis and Cab	
<b>HC</b> High compression	<b>R</b> Chassis and Scuttle	



● EXPLANATORY—*continued*

● COMMISSION NUMBERS

These are now to be allocated, among other reasons, to simplify control of the Production Change Points for modifications. They will have an effect on Parts Lists, as they will eliminate broken sequences which are confusing to the reader and take up so much space in the Change Point columns.

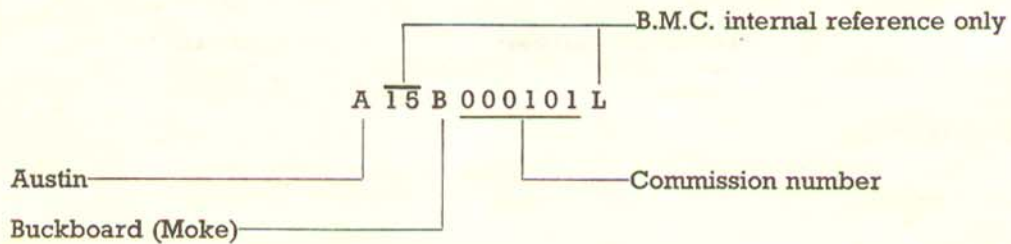
As the scheme proceeds, commission number plates will be affixed to successive models.

Commission numbers apart, engine unit, gearbox, rear axle, and body shell modifications will be introduced at unit serial numbers.

The commission number will be located on the right-hand fitch plate, and in the code used the first letter and the second letter (after the intervening numerals) indicate the make and type of vehicle respectively. The coding and an example are given below. The remaining symbols are for B.M.C. internal use.

1st Letter Name	1st Numerical Group	2nd Letter Body Type	2nd Numerical Group	Suffix
A Austin G M.G. H Healey M Morris R Riley V Vanden Plas W Wolseley	B.M.C. internal reference only	B Buckboard (Moke) J Convertible N 2-seater Tourer P Hard Top S 4-door Saloon 2S 2-door Saloon T 4-seater Tourer W Dual-purpose X Taxi	Vehicle commission number	A B C J L M S V B.M.C. internal reference only

EXAMPLE



● EXPLANATORY—*continued*

● COMMISSION NUMBERS

These are now to be allocated, among other reasons, to simplify control of the Production Change Points for modifications. They will have an effect on Parts Lists, as they will eliminate broken sequences which are confusing to the reader and take up so much space in the Change Point columns.

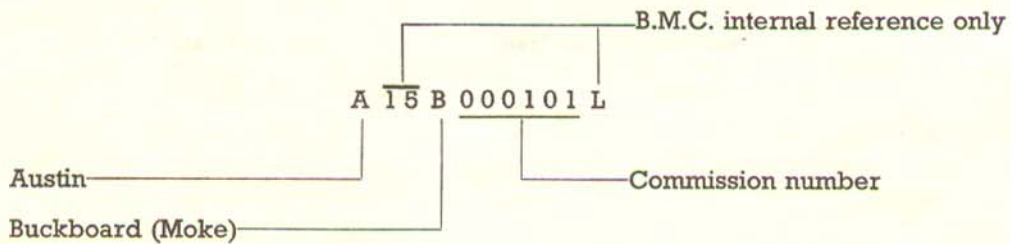
As the scheme proceeds, commission number plates will be affixed to successive models.

Commission numbers apart, engine unit, gearbox, rear axle, and body shell modifications will be introduced at unit serial numbers.

The commission number will be located on the right-hand fitch plate, and in the code used the first letter and the second letter (after the intervening numerals) indicate the make and type of vehicle respectively. The coding and an example are given below. The remaining symbols are for B.M.C. internal use.

1st Letter Name	1st Numerical Group	2nd Letter Body Type	2nd Numerical Group	Suffix
A Austin G M.G. H Healey M Morris R Riley V Vanden Plas W Wolseley	B.M.C. internal reference only	B Buckboard (Moke) J Convertible N 2-seater Tourer P Hard Top S 4-door Saloon 2S 2-door Saloon T 4-seater Tourer W Dual-purpose X Taxi	Vehicle commission number	A B C J L M S V B.M.C. internal reference only

EXAMPLE



## B.M.C. Service Parts List Spine Labels

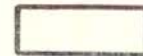
These have been designed with a colour code to enable Storekeepers to file or find Parts Lists readily. The system is as follows:

### Coloured rectangles at top of spine

'Families' of passenger cars will always have a common colour (e.g. Lilac for the B.M.C. Minis).

Heavy commercial vehicles will have a common colour throughout—Red.

Light commercial vehicles will have a common colour throughout—Grey.



### Second coloured rectangle

This indicates what the List deals with, as under:

Red ... .. Mechanical.	Tan ... .. Power Unit (Diesel).
Light Blue ... Body.	Magenta ... C.V. Chassis.
Brown ... Power Unit (Petrol).	Deep Yellow ... C.V. Body and Cab.



### Coloured circles

These indicate the franchises covered by the List. For any particular franchise the circle will always appear at the same height on the spine label. Additionally, it will be coloured as under:

Blue ... .. Austin.	Pink ... .. Wolseley.
White ... .. Morris.	Maroon ... .. Vanden Plas.
Yellow ... M.G.	Stone ... .. Austin Commercial.
Grey ... .. Riley.	Green ... .. Morris Commercial.



### Title-page

For easy identification when the List is lying flat the colour of the text of the title-page repeats that on the spine label, indicating whether the List is Mechanical, Body, etc.



## BMC Service Parts List Spine Labels

These have been designed with a colour code to enable users to file or find Parts Lists readily. The system is as follows:

### Coloured rectangles at top of spine

'Families' of passenger cars will always have a common colour (e.g. Lilac for the BMC Minis).



Heavy commercial vehicles will have a common colour throughout—Red.

Light commercial vehicles will have a common colour throughout—Grey.

### Second coloured rectangle

This indicates what the List deals with, as under:

Red ... .. Mechanical.	Tan ... .. Power Unit (Diesel).
Light Blue ... Body.	Magenta ... C.V. Chassis.
Brown ... Power Unit (Petrol).	Deep Yellow ... C.V. Body and Cab.
Pink ... .. Engines.	



### Coloured circles

These indicate the franchises covered by the List. For any particular franchise the circle will always appear at the same height on the spine label. Additionally, it will be coloured as under:

Blue ... .. Austin.	Pink ... .. Wolseley.
White ... .. Morris.	Maroon ... .. Vanden Plas.
Yellow ... M.G.	Stone ... .. Austin Commercial.
Grey ... .. Riley.	Green ... .. Morris Commercial.



### Title-page

For easy identification when the List is lying flat the colour of the text of the title-page repeats that on the spine label, indicating whether the List is Mechanical, Body, etc.

# IMPORTANT TO OWNERS



## BMC SERVICE PARTS

Owners are strongly advised to insist on the use of BMC Genuine Parts. These may readily be identified by the label below and many are packed in characteristic cartons. They are available through any Distributor or Dealer, who can also provide details of the wide range of BMC Approved Accessories not covered by this publication.



Replacement parts that are not of genuine BMC manufacture cannot be relied upon to be of BMC specification, material, and workmanship, and therefore BMC cannot be expected to extend their Warranty to vehicles which have been fitted with parts not of their manufacture.

BMC reserve the right to make changes or improvements in the construction or equipment of their products at any time.

In order to ensure prompt and correct execution of your orders it is essential to quote :

1. The relative **Unit Number**, together with prefixes, suffixes, and specification reference where applicable :  
e.g. : Axle, Body, Cab, Car, Chassis, Commission, Engine, and Gearbox Numbers, etc.
2. The **Part Number** and **description** (prefix letters to Part Numbers must always be quoted).
3. The **quantity** required, bearing in mind that the quantities shown are those used in the application actually illustrated on the Parts List in question. Sometimes only minimum packaged quantities are available. These packs may well contain more parts than are required for a single job ; for details of packaged quantities, see the confidential Service Parts Price List.
4. Always state the **colour** of carpets, painted items, trim items, etc.



## Vehicle Identification Serial Number Prefix Letter Code

The car number prefix comprises a series of letters and numbers, presenting in code the make, the engine type, the body type, the series, and, where applicable, left-hand drive.

<b>1st PREFIX LETTER—Name</b> A—Austin M—Morris	<b>2nd PREFIX LETTER—Engine type</b> A
<b>3rd PREFIX LETTER—Body type</b> B—Buckboard (Moke)	
<b>4th PREFIX—Series of model</b> 1—1st series	<b>5th PREFIX (used to denote car is different to standard right-hand drive)</b> L—Left-hand drive

**CODE EXAMPLE**

A - A B 1 - 513101

Serial number

1st series

Buckboard (Moke)

'A'-type engine

Austin

Always quote these prefixes with Car Serial Numbers

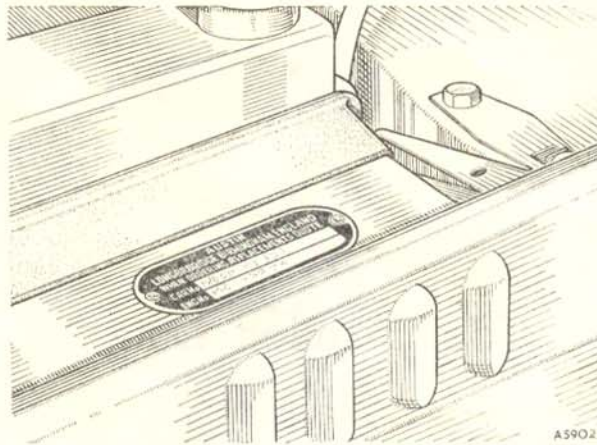
## Commission Number Coding

The Commission Number comprises a series of letters and numbers, presenting in code the make and body type.

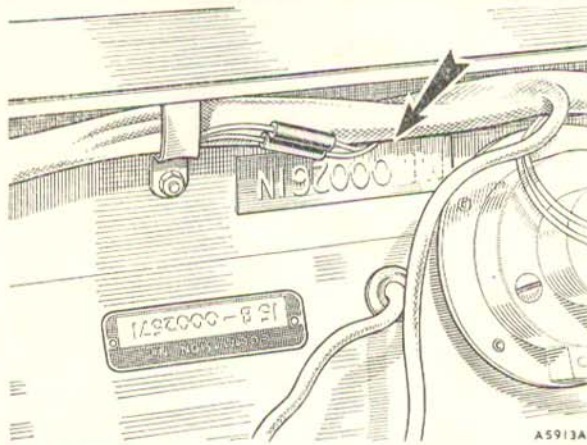
<p><b>1st PREFIX LETTER—Name</b></p> <p>A—Austin                  G—M.G.                  H—Healey                  M—Morris                  R—Riley                  V—Vanden Plas                  W—Wolseley</p>	<p><b>1st NUMERICAL GROUP</b></p> <p>BMC                  Internal                  Reference                  only</p>
<p><b>2nd PREFIX LETTER—Body type</b></p>	
<p>B—Buckboard                  D—Coupe                  J—Convertible                  N—2-seater Tourer                  P—Hard Top                  S—4-door Saloon                  2S—2-door Saloon</p>	<p>T—4-seater Tourer                  U—Pick-up                  V—Van                  W—4-door Dual Purpose                  2W—2-door Dual Purpose                  X—Taxi</p>
<p><b>2nd NUMERICAL GROUP</b></p> <p style="text-align: center;">Vehicle                  Commission                  Number</p>	<p><b>SUFFIX</b></p> <p>A                  B                  F                  G                  J                  L                  M                  S                  V</p> <p style="text-align: right;">} Internal                  Reference                  only</p>
<p><b>CODE EXAMPLE</b></p>	
<p>A 15 B 000101 L</p> <p style="text-align: right; margin-right: 50px;">                 _____ BMC internal reference                  _____ Commission number                  _____ Buckboard (Moke)                  _____ BMC internal reference                  _____ Austin             </p>	

Always quote the prefixes and suffixes with Commission Numbers

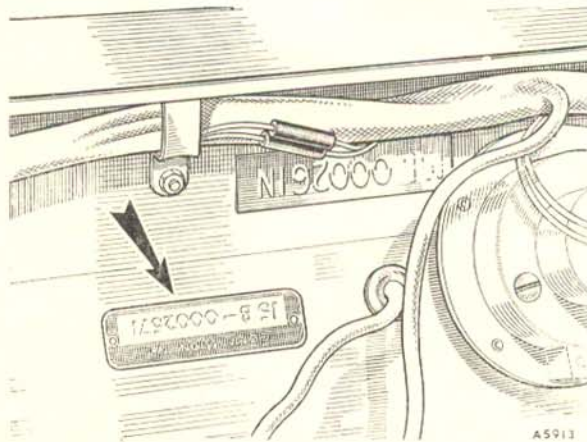
## Location of Unit Numbers



The **Car Number** is stamped on a plate secured to the top radiator cowl



The **Body Number** is stamped on a plate secured to the right-hand front wing



The **Commission Number** is stamped on a plate secured to the right-hand fitch plate



### Identification Data

Model	Car Number Prefix	Commencing		Finishing	
		Car No.	Body No.	Car. No.	Body No.
AUSTIN MINI-MOKE	A-AB1-	513101	101		
MORRIS MINI-MOKE	M-AB1-	513101	101		



1. Front of truck





## Part Number Index

The following is a complete index of parts in this List, giving the page reference of each part number

Part Number	Page	Part Number	Page	Part Number	Page	Part Number	Page	Part Number	Page
2A 263	BB 2	ALA 7242	BC 2	LFP 116	BC 2				
2A 267	BB 2	ALA 7245	BD 2	LFP 123	BC 2				
		ALA 7248	BA 1-1						
14A 3823	BA 2	ALA 7249	BA 1-1	LFS 100	BD 2				
14A 6536	BD 2	ALA 7292	BA 1-1	LFS 109	BD 2				
14A 6733	BA 2	ALA 7293	BA 1-1						
14A 6784	BA 2	ALA 7294	BA 1-1	LNZ 205	BD 2				
14A 7031	BA 2	ALA 7296	BC 2						
14A 7081	BA 2	ALA 7312	BA 1-1	LWZ 204	BA 2				
14A 7090	BA 2	ALA 7313	BA 1-1	LWZ 204	BB 2				
14A 7091	BA 2	ALA 7318	BA 1-1	LWZ 205	BA 2				
14A 8075	BA 2	ALA 7319	BA 1-1	LWZ 205	BB 2				
14A 8455	BB 2	ALA 7320	BA 1-1	LWZ 205	BC 2				
14A 8887	BA 2	ALA 7321	BA 1-1	LWZ 205	BD 2				
14A 9922	BA 1-1	ALA 7323	BA 1-1						
14A 9922	BA 2	ALA 7328	BA 2	PMZ 0408	BB 2				
		ALA 7329	BA 2	PMZ 0506	BA 2				
24A 571	BA 2	ALA 7357	BA 1-1	PMZ 0510	BA 2				
24A 1443	BA 2	ALA 7367	BA 1-1						
24A 1444	BA 2	ALA 7368	BA 1-1	PTZ 603	BA 2				
24A 2231	BA 2	ALA 7369	BA 1-1	PTZ 804	BD 2				
24A 2234	BA 2	ALA 7380	BA 1-1						
		ALA 7381	BA 1-1	PWZ 305	BD 2				
ALA 4466	BA 2	ALA 7389	BC 2						
ALA 5516	BA 1-1	ALA 7410	BA 1-1	RFN 207	BA 2				
ALA 6505	BA 2	ALA 7411	BA 1-1	RFN 211	BA 2				
ALA 6593	BA 2	ALA 7413	BB 2						
ALA 6597	BA 2	ALA 7421	BA 1-1	RTP 804	BD 2				
ALA 6598	BA 2	ALA 7441	BA 1-1						
ALA 6743	BA 1-1			TRP 0312	BB 2				
ALA 6744	BA 1-1	ALE 737	BD 2						
ALA 7001	BA 1-1	ALE 738	BD 2						
ALA 7002	BA 1-1	ALE 739	BD 2						
ALA 7003	BA 1-1								
ALA 7004	BA 1-1	BLA 1855	BD 2						
ALA 7005	BA 1-1								
ALA 7008	BA 1-1	CPS 0418	BB 2						
ALA 7009	BA 1-1								
ALA 7010	BA 1-1	DXR 0408	BB 2						
ALA 7012	BA 1-1								
ALA 7013	BA 1-1	FNZ 104	BA 2						
ALA 7014	BA 1-1	FNZ 104	BB 2						
ALA 7015	BA 1-1	FNZ 105	BA 2						
ALA 7020	BA 1-1	FNZ 105	BB 2						
ALA 7021	BA 1-1	FNZ 105	BC 2						
ALA 7022	BA 1-1	FNZ 105	BD 2						
ALA 7023	BA 1-1	FNZ 504	BA 2						
ALA 7026	BA 1-1								
ALA 7027	BA 1-1	FWP 208	BD 2						
ALA 7036	BA 1-1								
ALA 7037	BA 1-1	8G 8711	BA 2						
ALA 7038	BA 1-1								
ALA 7039	BA 1-1	2H 7274	BA 2						
ALA 7040	BA 1-1	2H 8041	BA 2						
ALA 7050	BA 1-1	2H 9215	BB 2						
ALA 7052	BA 1-1								
ALA 7053	BA 1-1	13H 1954	BA 2						
ALA 7076	BA 1-1								
ALA 7078	BA 1-1	HZS 0405	BA 2						
ALA 7088	BA 1-1	HZS 0504	BC 2						
ALA 7089	BA 1-1	HZS 0505	BA 2						
ALA 7094	BA 1-1	HZS 0505	BB 2						
ALA 7117	BB 2	HZS 0505	BD 2						
ALA 7127	BB 2	HZS 0506	BB 2						
ALA 7132	BB 2	HZS 0506	BD 2						
ALA 7164	BA 1-1	HZS 0508	BD 2						
ALA 7166	BD 2	HZS 0509	BC 2						
ALA 7189	BB 2								
ALA 7190	BB 2								
ALA 7193	BD 2	4K 7715	BB 2						
ALA 7205	BD 2	4K 7716	BA 1-1						
ALA 7219	BA 1-1	4K 7717	BB 2						
ALA 7228	BC 2								
ALA 7229	BC 2	KMP 0824	BC 2						
ALA 7230	BC 2	KMP 0824	BD 2						
ALA 7231	BC 2								
ALA 7236	BC 2	1AL 355	BD 2						

1. Front of truck



## Index to Revised Pages/Illustrations

(Up to and including Circulation 7)

The following is a complete index of pages/plates now comprising this Service Parts List, giving the latest issue of each page/plate. All revised pages/plates issued with this circulation of revised pages are denoted by a dagger which appears against the page/plate reference.

PAGE/ PLATE	ISSUE	PAGE/ PLATE	ISSUE	PAGE/ PLATE	ISSUE	PAGE/ PLATE	ISSUE	PAGE/ PLATE	ISSUE	PAGE/ PLATE	ISSUE	PAGE/ PLATE	ISSUE
+1	7	C 1	1										
2	2												
3	5	D 1	2										
4	3												
5	2												
+6	3												
7	2												
+8	3												
9	2												
10	2												
+11	4												
+13	7												
BA 1	4												
BA 1-01	1												
+BA 1-1	5												
BA 1-2	1												
+BA 2	5												
BB 1	4												
BB 2	2												
BC 1	3												
+BC 2	3												
BD 1	3												
BD 2	2												
BF 1	3												
BF 2	3												
BR 1	1												
PLATES													
A 1	4												
A 2	3												
B 1	2												



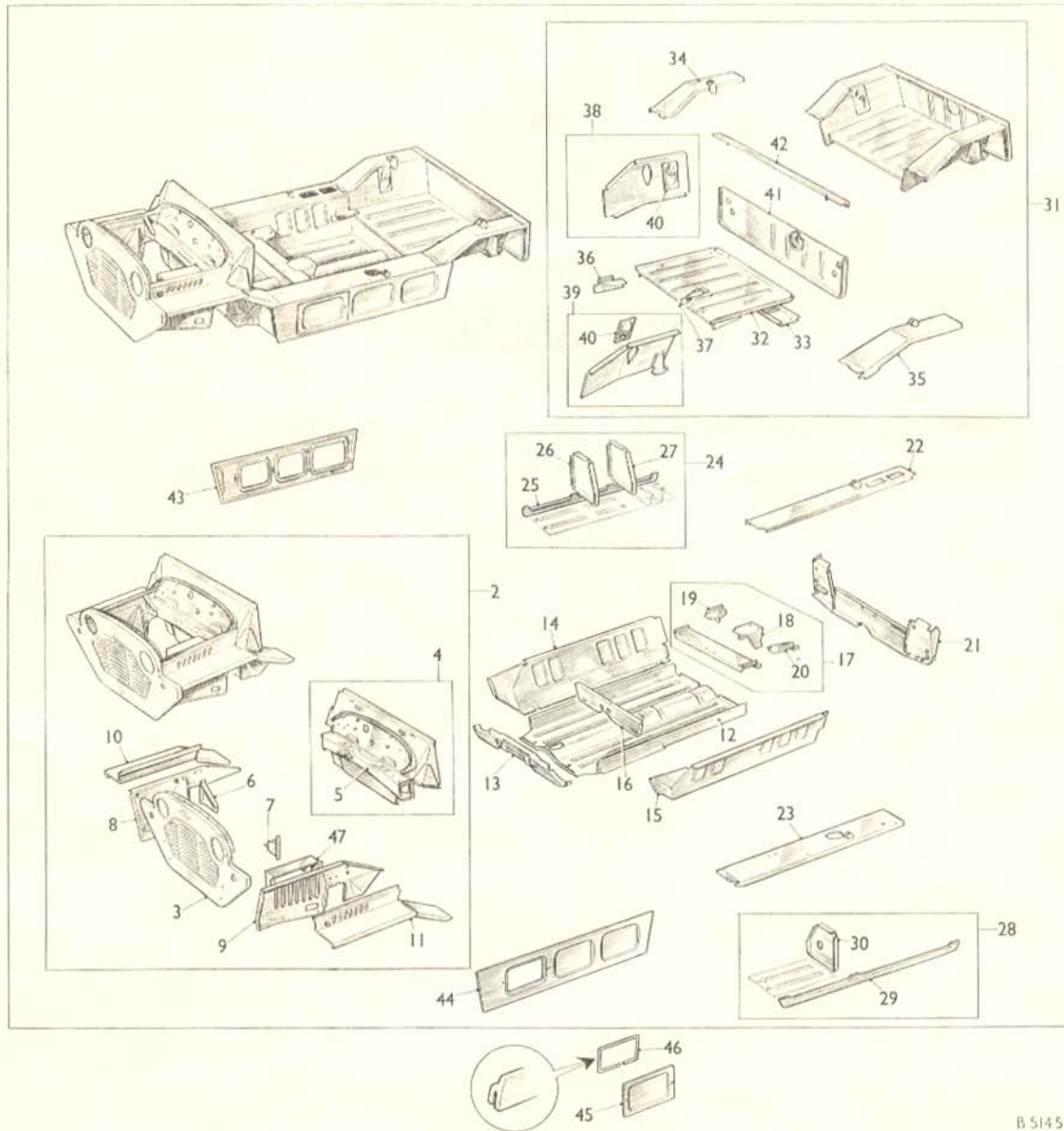
1. Front of truck



**BA**

**BODY SHELL**

					<i>Page</i>	<i>Plate</i>
†FRONT END—DASH PANEL	...	...	...	...	BA 1·1	A 1
†REAR END—HULL SIDE	...	...	...	...	BA 1·1	A 1



B 5145



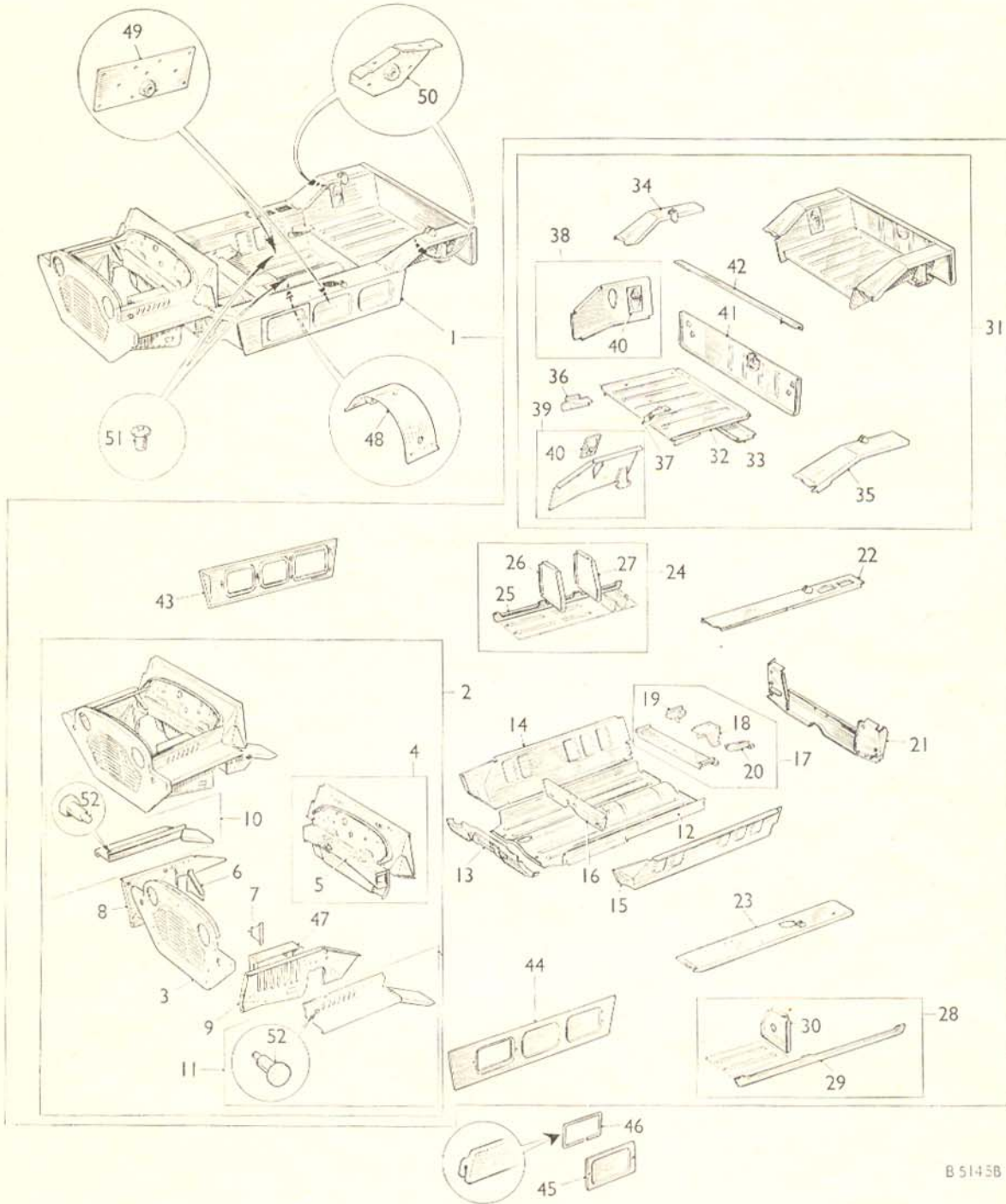
DESCRIPTION	Part No.	Illus. No.	Quantity	Change Point	REMARKS
<b>BODY SHELL</b>					
<b>Body shell assembly—primed (less bonnet panel)</b>	ALA 7357	1	1	(CN) A-AB1, M-AB1-000101 to 005952	
	†ALA 7421	1	1	(CN) A-AB1, M-AB1-005953 to 006685	
	†ALA 7441	1	1	(CN) A-AB1, M-AB1-006686 on	
<b>End assembly—front—primed (less bonnet panel)</b>	ALA 7249	2	1	(CN) A-AB1, M-AB1-000101 to 005952	
	†ALA 7411	2	1	(CN) A-AB1, M-AB1-005953 to 006685	
	†ALA 6744	2	1	(CN) A-AB1, M-AB1-006686 on	
Panel—grille	ALA 7001	3	1		
<b>Panel assembly—dash</b>	ALA 7002	4	1	(CN) A-AB1, M-AB1-000101 to 005952	
	†ALA 7410	4	1	(CN) A-AB1, M-AB1-005952 to 006685	
	†ALA 6743	4	1	(CN) A-AB1, M-AB1-006686 on	
Cross-member—dash panel	ALA 5516	5	1		
Gusset—dash—RH	ALA 7292	6	1		
Gusset—dash—LH	ALA 7293	7	1		
Plate—flitch—RH	ALA 7004	8	1		
Plate—flitch—LH	ALA 7005	9	1		
<b>Wing assembly—front—RH</b>	ALA 7008	10	1		
<b>Wing assembly—front—LH</b>	ALA 7009	11	1		
Stud—bonnet fastener	4K 7716	52	2		
Cowling—radiator	ALA 7010	47	1		
Panel—front floor	ALA 7076	12	1		
Panel—toeboard	ALA 7003	13	1		
<b>Hull side—front</b>					
Right-hand	ALA 7014	14	1	] (B) A-AB1-101 to 3869 (B) M-AB1-101 to 3866 (B) A-AB1-3870 on (B) M-AB1-3867 on	
Left-hand	ALA 7015	15	1		
Right-hand	ALA 7380	14	1		
Left-hand	ALA 7381	15	1		
Cross-brace—front seat	ALA 7040	16	1		
<b>Plate assembly—front seat reinforcement</b>	ALA 7294	17	1		
<b>Bracket—front seat support</b>					
Inner	ALA 7078	18	1		
Outer—RH	ALA 7038	19	1		
Outer—LH	ALA 7039	20	1		
Panel—heelboard	ALA 7023	21	1		
Channel—centre capping—RH	ALA 7012	22	1		
Channel—centre capping—LH	ALA 7013	23	1		

DESCRIPTION	Part No.	Illus. No.	Quantity	Change Point	REMARKS
<b>Body Shell—continued</b>					
Plate—seating—dash cross-member—RH	14A 6733	1	1		
Plate—seating—dash cross-member—LH					(CN) A-ABI, M-ABI-
	<b>LHD</b> 14A 6734	2	1		000101 to 006685
Gasket—seating plate	14A 8075	3	2		
<b>Plate</b>					
Dash cross-member blanking	14A 8887	4	1		
Dash cross-member blanking	ALA 6593	35	1		
Seating—dash cross-member—RH	ALA 6505	36	1		(CN) A-ABI, M-ABI-
Seating—dash cross-member—LH	ALA 6597	37	1		006686 on
Gasket—seating plate	ALA 6598	38	2		
Screw	HZS 0505	5	4		
Washer—spring	LWZ 205	6	4		
Nut	FNZ 105	7	4		
Cover—harness	24A 571	8	1		
Screw	PTZ 603	9	2		
<b>Plug</b>					
Windscreen wiper hole (rubber)	2H 8041	10	2		(CN) A-ABI, M-ABI-
Windscreen wiper hole (rubber)	ALA 4466	11	1		000101 to 005952
<b>Ferrule</b>					
Blank	<b>RHD</b> RFN 211	35	2		(CN) A-ABI, M-ABI-
Blank	RFN 207	35	2		005953 on
Blank	<b>LHD</b> RFN 211	35	2		
<b>Plug</b>					
Steering hole in toeboard (rubber)	14A 7091	12	1		
Front floor blanking (rubber)	14A 7091	13	2		
Flitch plates (rubber)	2H 7274	28	4		
Front floor	†14A 7090	12	4		
Hull side—rear	†14A 7081	12	2		
Pannier floor—RH	†14A 7031	12	2		
Rear floor panel and back panel	†13H 1954	11	2		(B) A-ABI, M-ABI-▼ on
Pannier floor—RH	†13H 1954	11	5		
Pannier floor—LH	†13H 1954	11	1		
Mirror—driving	SG 8711	14	2		Part No. change; was ADA 3744
Nut	FNZ 104	15	2		
Washer—spring	LWZ 205	16	2		
Seal—gear lever	24A 1443	17	1		
Clamping plate—seal	24A 1444	18	1		
Licence holder	<b>UK only</b> 14A 3823	19	1		
Grab handle—front	ALA 7328	20	1		
Screw	PMZ 0510	21	2		
Washer	LWZ 205	22	2		
Nut	FNZ 10 <sup>5</sup>	23	2		
Grab handle—rear	ALA 7329	24	2		
Screw	PMZ 0506	25	4		
Washer—spring	LWZ 205	26	4		
Nut	FNZ 105	27	4		
Plate—reinforcement—floor side—rear safety belt anchorage	24A 2231	29	2		
Bracket—rear safety belt anchorage	24A 2234	30	1		
Screw	HZS 0405	31	16		(B) A-ABI, M-ABI-101 to 2736
Nut	FNZ 504	32	16		
Washer—spring	LWZ 204	33	16		
Screw—anchorage point seal	14A 9922	34	4		

Optional extra

Service purposes





B 5145B



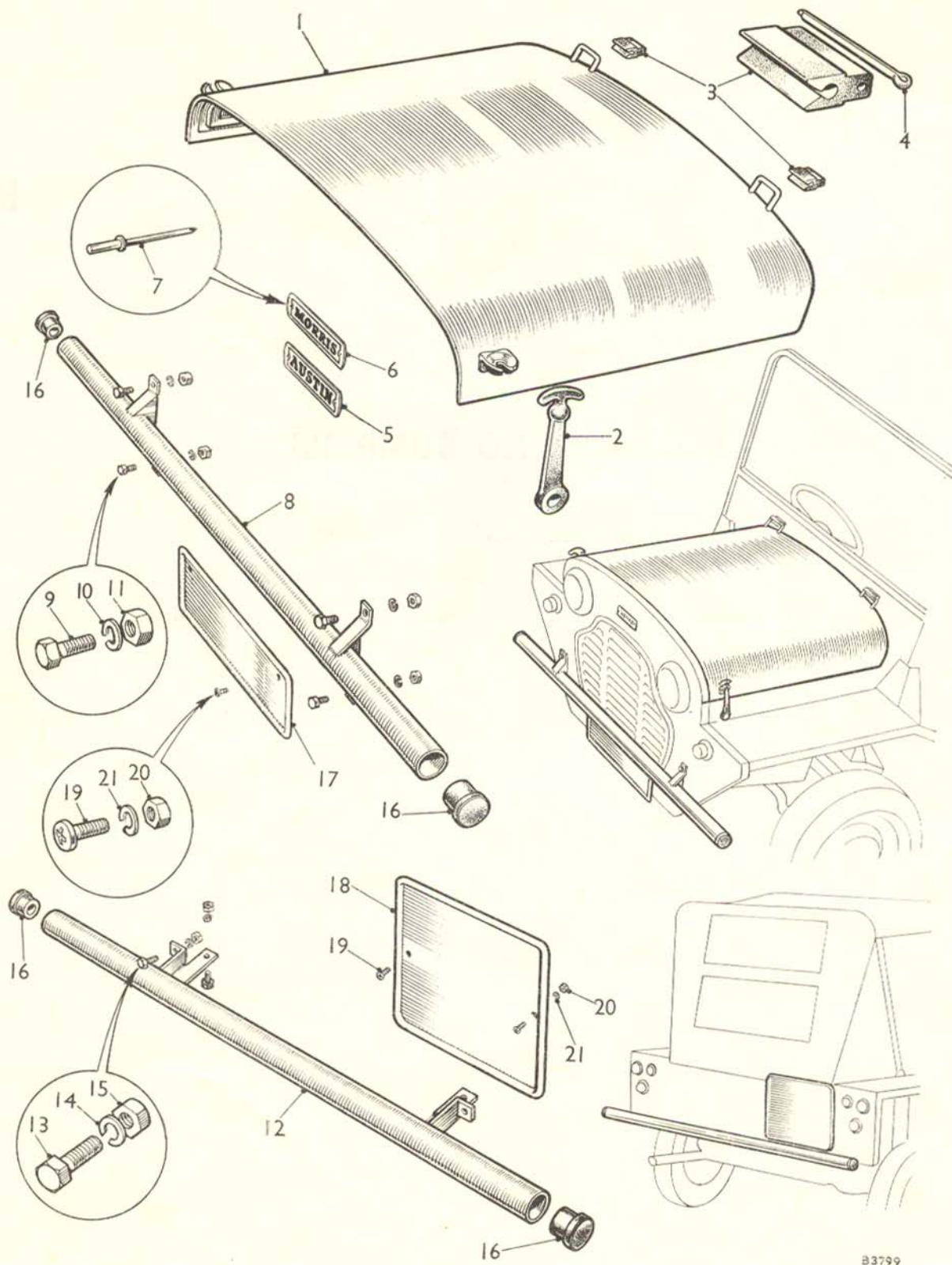
1. Front of Max



BB

### BONNET AND BUMPERS

	<i>Page</i>	<i>Plate</i>
BONNET ... ..	BB 1	B 1
BUMPERS ... ..	BB 1	B 1
NUMBER—PLATES ... ..	BB 1	B 1



B3799

To face page BB 1



DESCRIPTION	Part No.	Illus. No.	Quantity	Stock recomms.			Change Point	REMARKS
				DIST.		D		
				Exp.	UK			

**BONNET DETAILS**

Bonnet	†ALA 7117	1	1				
Fastener—bonnet (rubber)	4K 7717	2	2				
Stop—bonnet hinge (rubber)	2H 9215	3	3				
Pin—split—stop	CPS 0418	4	4				
Motif—'Austin'	2A 263	5	1				
Motif—'Morris'	2A 267	6	1				
Rivet—motif to grille surround	DXR 0408	7	2				

**BUMPERS AND NUMBER-**

**PLATES**

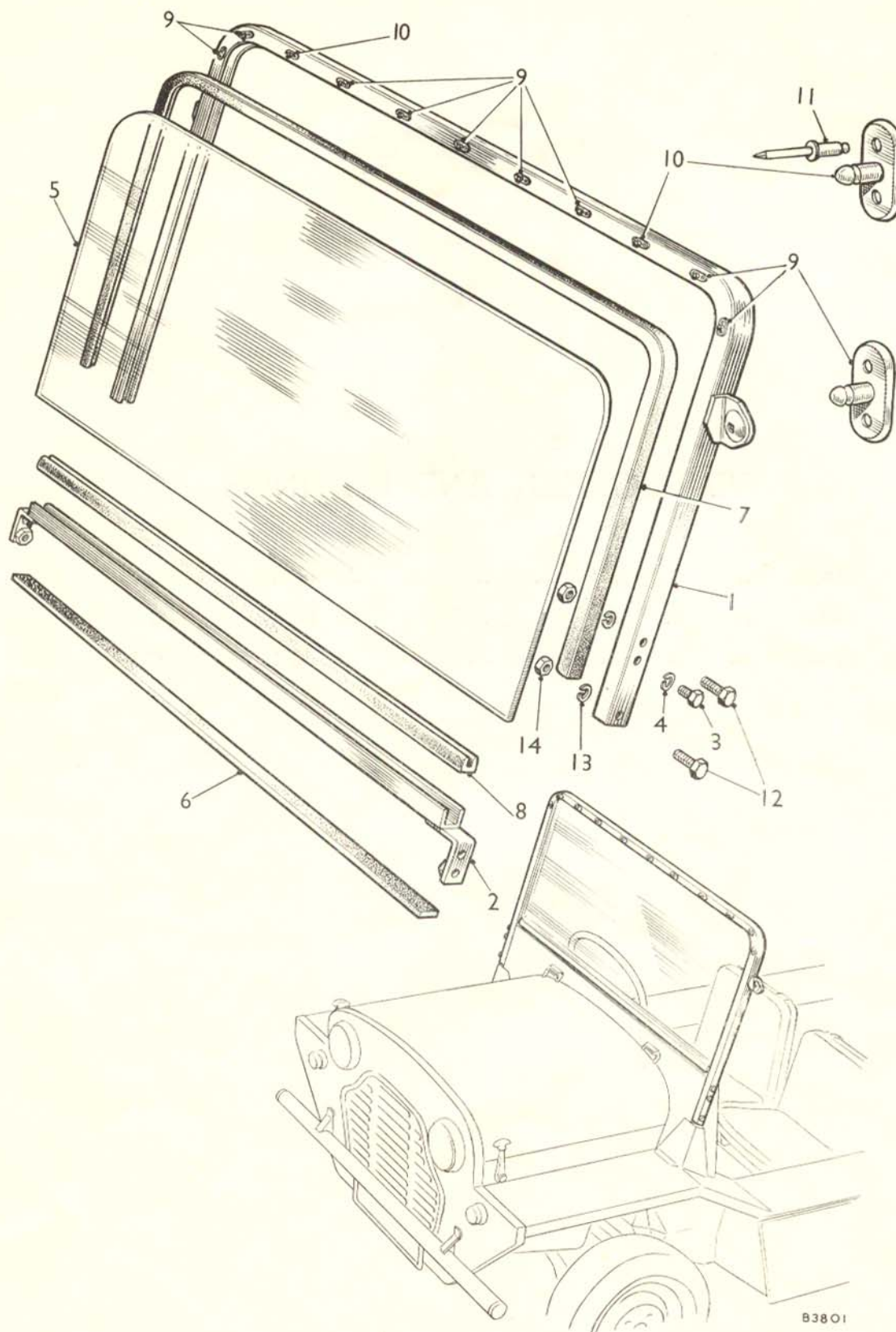
Bar—bumper—front	†ALA 7127	8	1				
Screw—bumper bar to body	HZS 0505	9	4				
Washer—spring	LWZ 205	10	4				
Nut—screw	FNZ 105	11	4				
Bar—bumper—rear	†ALA 7132	12	1				
Screw—bumper bar to body	HZS 0506	13	4				
Washer—spring	LWZ 205	14	4				
Nut—screw	FNZ 105	15	4				
Plug—bumper bar (rubber)	ALA 7190	16	4				
Plate—number—front	†14A 8455	17	1				
Plate—number—rear	†ALA 7189	18	1				
Screw—number-plate retaining	PMZ 0408	19	4				
Nut—screw	FNZ 104	20	4				
Washer—spring	LWZ 204	21	4				

1. Front of truck









To face page BC 1

**BODY SERVICE PARTS LIST**

**AKD 3538**

DESCRIPTION	Part No.	Illus. No.	Quantity	Change Point	REMARKS
-------------	----------	------------	----------	--------------	---------

**WINDSCREEN AND FITTINGS**

Frame .....	ALA 7242		1	1	
Rail—lower .....	ALA 7236		2	1	
Screw .....	HZS 0504		3	2	
Washer—spring .....	LWZ 205		4	2	
<b>Glass—windscreen</b>					
Zone-toughened .....	ALA 7296		5	1	
Laminated .....	†ALA 7228		5	1	W.S.E. use ALA 7389
Laminated .....	ALA 7389		5	1	
Seal—glass (rubber) .....	ALA 7231		6	1	
Rubber—frame—top .....	ALA 7229		7	1	
Rubber—frame—bottom .....	ALA 7230		8	1	
Peg—fastener .....	LFP 116		9	9	
Peg—fastener .....	LFP 123		10	2	
Rivet .....	KMP 0824		11	22	
Screw .....	HZS 0509		12	4	
Washer—spring .....	LWZ 205		13	4	
Nut .....	FNZ 105		14	4	

1. Front of truck

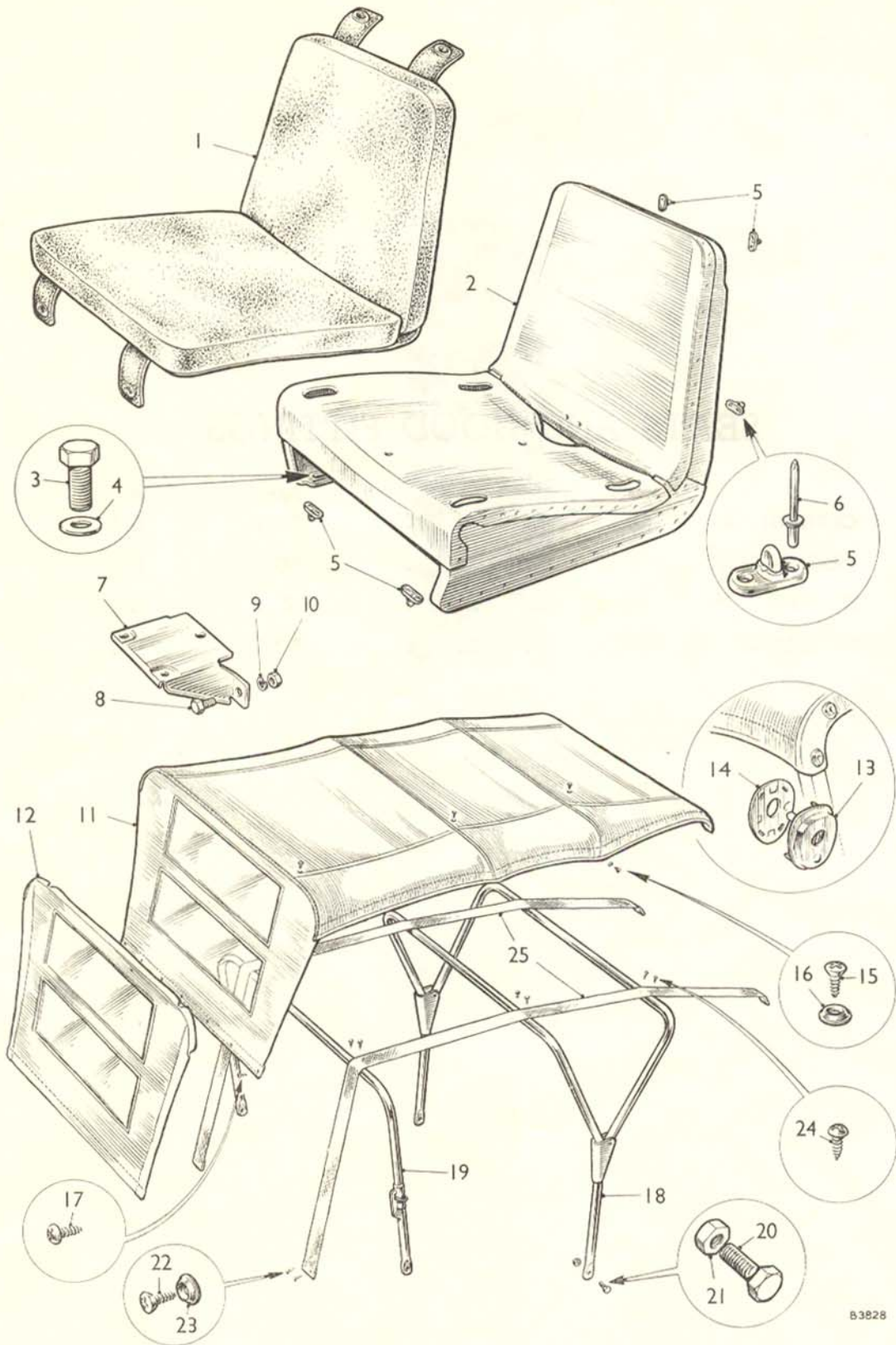




**BD**

**SEATS AND HOOD FITTINGS**

	<i>Page</i>	<i>Plate</i>
CUSHION AND SQUAB ... ..	BD 1	D 1
FRAME—SEAT ... ..	BD 1	D 1
HOOD ... ..	BD 1	D 1
HOOPSTICK ... ..	BD 1	D 1



B3928

To face page BD 1

DESCRIPTION	Part No.	Illus. No.	Quantity	Stock recommds.			Change Point	REMARKS
				DIST.		D		
				Exp.	UK			

**SEATS AND FITTINGS**

**Passenger's and rear seats optional extra**

Cushion and squab—green	ALE 739	1	4				
Frame—seat	ALA 7193	2	4				
Screw—seat frame to floor	HZS 0506	3	16				
Washer—plain—screw	PWZ 305	4	16				
Stud—turn button	14A 6536	5	20				
Rivet—stud fixing	KMP 0824	6	40				
Support—rear seat front	ALA 7166	7	1				
Screw—support fixing	HZS 0505	8	3				
Washer—spring—screw	LWZ 205	9	2				
Nut—screw	FNZ 105	10	1				

**HOOD AND FITTINGS**

<b>Hood—green</b>	<b>ALE 737</b>	<b>11</b>	<b>1</b>				
Panel—back—green	ALE 738	12	1				
Fastener—dot	LFS 109	13	11				
Washer—fastener	LFS 100	14	11				
Screw—hood to hoopsticks	RTP 804	15	10				
Washer—cup—screw	FWP 208	16	10				
Screw—hood to body	PTZ 804	17	7				
Hoopstick—front	ALA 7245	18	1				
Hoopstick—rear	ALA 7205	19	1				
Screw—hoopsticks to body	HZS 0508	20	4				
Nut—screw	LNZ 205	21	4				
Screw—webbing to body	RTP 804	22	4				
Washer—cup—screw	FWP 208	23	4				
Screw—webbing to hoopsticks	PTZ 804	24	12				
Webbing—hood		25	A/R				Use bulk part No.

**BULK MATERIALS**

Leathercloth—green	ALA 7327		A/R				] Available in multiples of yards
Webbing—hood	BLA 1855		A/R				

1. Front of truck

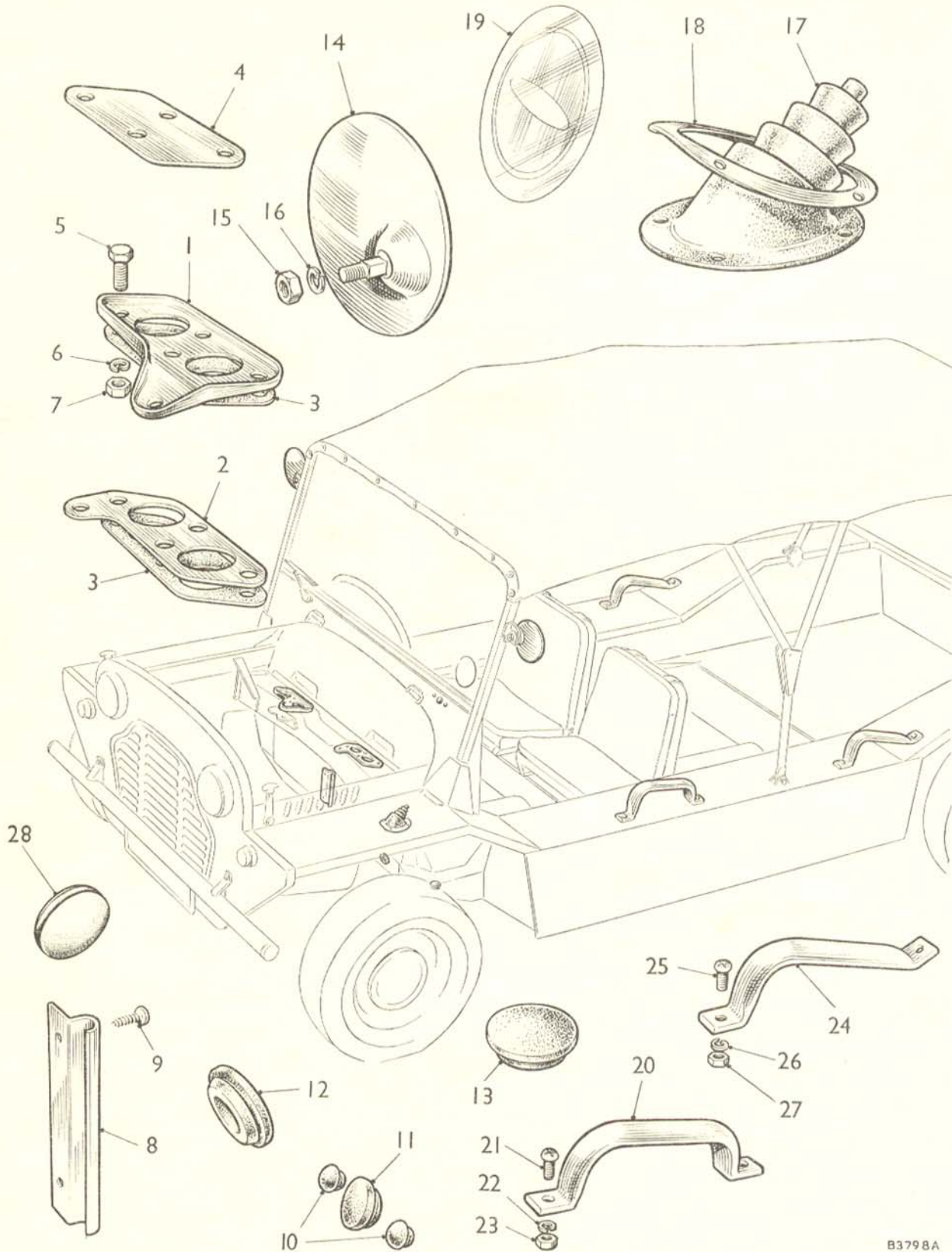




SUNDRIES

BE

						<i>Page</i>	<i>Plate</i>
†DRIVING MIRROR	...	...	...	...	...	BE 1·1	E 1
†GRAB HANDLE ...	...	...	...	...	...	BE 1·1	E 1
†HARNESS COVER	...	...	...	...	...	BE 1·1	E 1
†LICENCE HOLDER	...	...	...	...	...	BE 1·1	E 1



B3798A

**BODY SERVICE PARTS LIST**

**AKD 3538**

DESCRIPTION	Part No.	Illus. No.	Quantity	Stock recommds.			Change Point	REMARKS
				DIST.		D		
				Exp.	UK			

**SUNDRIES**

Plate—seating—dash cross-member—RH	14A 6733		1	1				
Plate—seating—dash cross-member—LH								
	<b>LHD</b> †14A 6734		2	1				
Gasket—seating plate	14A 8075		3	2				
Plate—dash cross-member blanking	14A 8887		4	1				
Screw—seating and blanking plate to cross-member	HZS 0505		5	4				
Washer—spring—screw	LWZ 205		6	4				
Nut—screw	FNZ 105		7	4				
Cover—harness	24A 571		8	1				
Screw—cover retaining	PTZ 603		9	2				

**Plug**

Windscreen wiper holes (rubber)	†2H 8041		10	2				
Windscreen wiper hole (rubber)	ALA 4466		11	1				
Steering hole in toe board (rubber)	14A 7091		12	1				
Front floor blanking (rubber)	14A 7091		13	2				
Fitch plates (rubber)	†2H 7274		28	4				
Mirror—driving	†8G 8711		14	2	*	*		

Part No. change:  
was ADA 3744

Nut—mirror to windscreen bracket	FNZ 104		15	2				
Washer—spring—nut	LWZ 205		16	2				
Seal—gear lever	24A 1443		17	1				
Clamping plate—seal	24A 1444		18	1				
Licence holder	<b>UK only</b> 14A 3823		19	1				
Grab handle—front	ALA 7328		20	1				
Screw—grab handle fixing	PMZ 0510		21	2				
Washer—spring—screw	LWZ 205		22	2				
Nut—screw	FNZ 105		23	2				
Grab handle—rear	ALA 7329		24	2				
Screw—grab handle fixing	†PMZ 0506		25	4				
Washer—spring—screw	LWZ 205		26	4				
Nut—screw	FNZ 105		27	4				

Optional  
extra

See title-page for application

† Revised Information



1. Front of truck





PAINTS

Paint	...	...	...	...	...	...	...	Page	Plate
								BF 1	—

**BF**

1. Front of Max





PRINTED IN ENGLAND BY  
THE NUFFIELD PRESS LIMITED  
COWLEY, OXFORD  
27/16 (60372) 9/64—11,210



*Issued by*

**BMC SERVICE LIMITED**

a Subsidiary of The British Motor Corporation Limited

COWLEY · OXFORD · ENGLAND

**AUSTIN & MORRIS MINI-MOKE**

**SERVICE PARTS LIST AKD 3537  
REVISED PAGES**

Please receive herewith Circulation 7 of revised pages for the list mentioned above. The pages now issued are listed in full in the revised 'Index to Revised Pages/Illustrations' page enclosed herewith. The new Index and Revised pages should be inserted immediately into your copy(ies) of the Parts List.